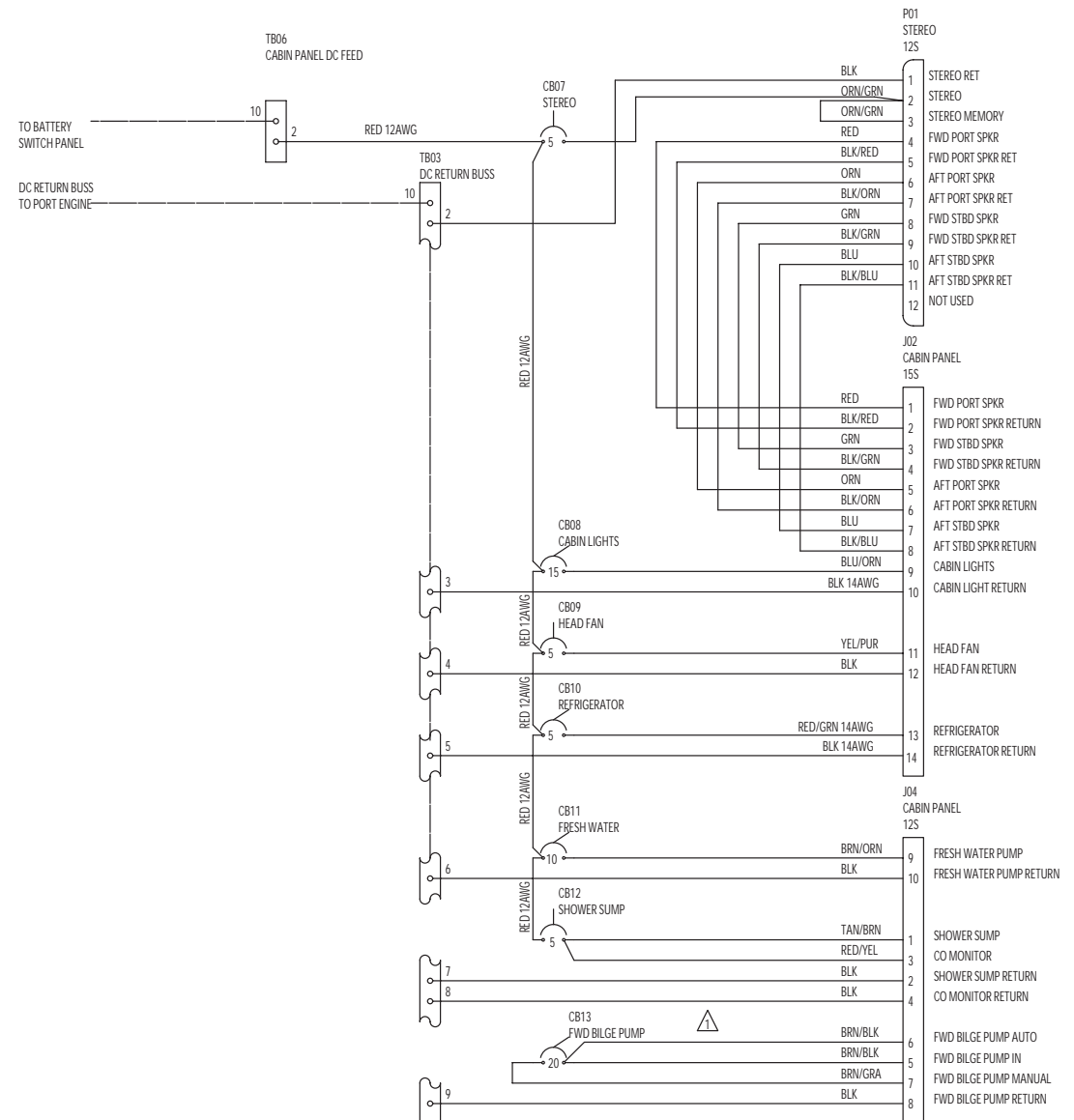


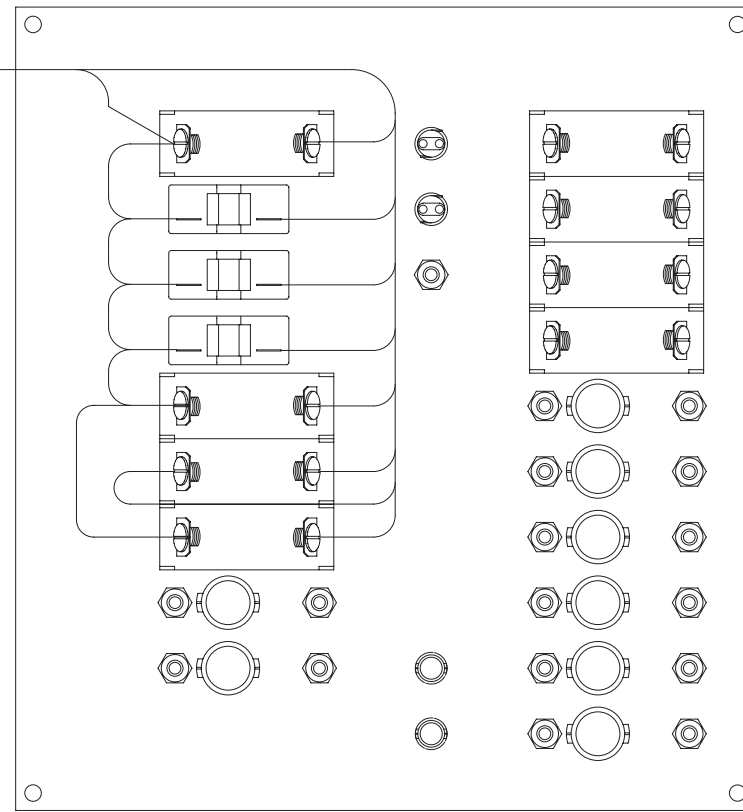
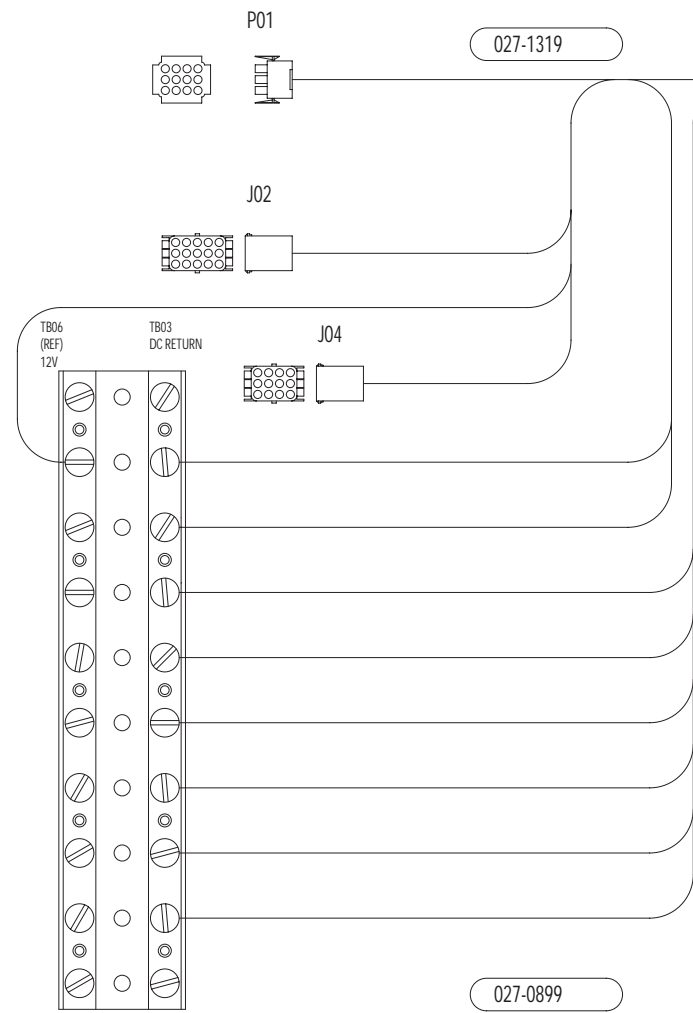
FOUR WINNS PARTS LIST

ITEM	PART NUMBER	QUANTITY	DESCRIPTION	FUNCTION	MANUFACTURER
	028-0189	1	TERM. RING 16-14 #8	08	AMP
	028-0355	4	TERM. SS 22-18 #8	47	AMP
	028-0194	1	TERM. RING 12-10 #8	12	AMP
	028-0199	8	TERM. SS 12-10 #8	20	AMP
	027-0899	1	HV HARNESS ASSY		
	DP-625	6	HOLE PLUG 625		HEYCO
	028-0220	3	TERM. SS 16-14 #8	19	AMP
	DP-250	2	HOLE PLUG 250		HEYCO
	025-1197	1	PANEL BLANK, 278 CABIN PANEL		
	027-1319	1	HARNESS ASSY, LOW VOLTAGE		
	028-0179	4	TERM. LF 12-10		
CB01	028-0415	1	CKT BKR-5A	07	AMP
CB02	028-0417	1	CKT BKR-15A	BATT CHARGER	CARL SW
CB03	028-0415	1	CKT BKR-5A	REFRIG AC	CARL SW
CB04	028-0418	1	CKT BKR-20A	WATER HEATER	CARL SW
CB05	028-0418	REF	CKT BKR-20A	RANGE	CARL SW
CB06	028-0418	REF	CKT BKR-20A	MICROWAVE	CARL SW
CB07	028-0464	1	CKT BKR-5A	STEREO	SM
CB08	028-0417	1	CKT BKR-15A	LIGHTS	CARL SW
CB09	028-0464	1	CKT BKR-5A	HEAD FAN	SM
CB10	028-0415	1	CKT BKR-5A	REFRIG DC	CARL SW
CB11	028-0416	1	CKT BKR-10A	FRESH WATER	CARL SW
CB12	028-0464	1	CKT BKR-5A	SHOWER SUMP	SM
CB13	028-0418	1	CKT BKR-20A	FWD BILGE	CARL SW
CB14	028-0484	1	CKT BKR-30A DP	SHORE 1 MAIN	CARL SW
CB15	028-0483	REF	CKT BKR-20A DP	SHORE 2 MAIN	CARL SW
DS01	6414-1	1	INDICATOR-NEON	SHORE 1 OK	SOLICO
DS02	6411-N3	1	INDICATOR-NEON	SHORE 1 REF	SOLICO
DS03	6424-2	REF	INDICATOR-NEON	SHORE 2 OK	SOLICO
DS04	6411-N3	REF	INDICATOR-NEON	SHORE 2 REV	SOLICO
TB01	028-0302	1	TERM.BLOCK-10 POS	AC GROUND BUSS	WESGARDE
TB02	028-0302	1	TERM.BLOCK-10 POS	AC NEUTRAL BUSS	WESGARDE
TB03	028-0302	1	TERM.BLOCK-10 POS	DC RETURN	WESGARDE
TB04	028-0303	1	TERM.BLOCK-6 POS	110V AC OUT	BEAU
TB06	028-0302	1	TERM.BLOCK-10 POS	12V DC FEED	WESGARDE

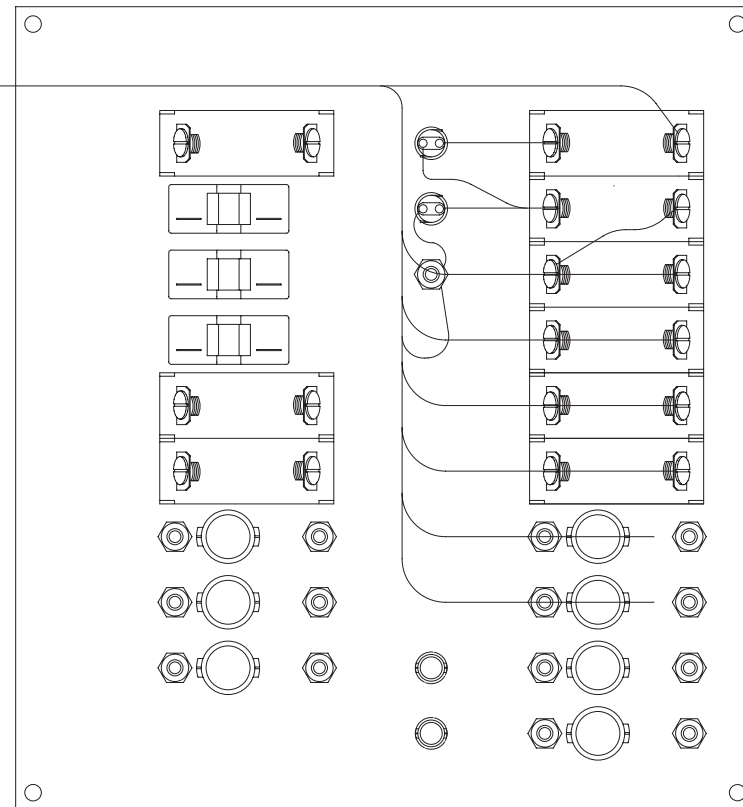
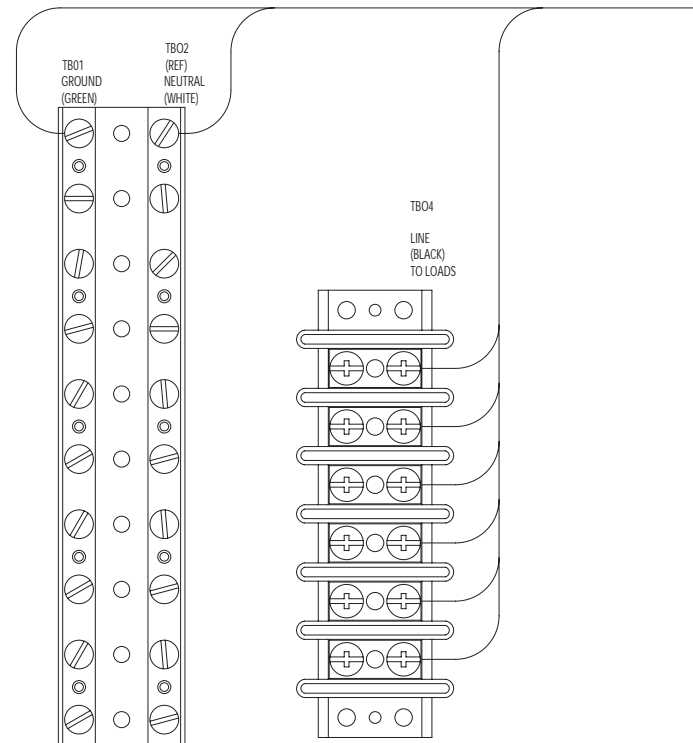


FOUR WINNS WIRE LIST

COLOR	GA	FIRST	PIN	TERM	NOTE	SECOND	PIN	TERM	NOTE	FUNCTION
BLK	10	CB01	LINE	20		CB02	LINE	20		AC BUSS
BLK	10	CB02	LINE	20		CB03	LINE	20		AC BUSS
BLK	10	CB03	LINE	20		CB04	LINE	20		AC BUSS
RED	12	CB07	LINE	07	SB	CB09	LINE	07	SA	DC BUSS 1B
RED	12	CB07	LINE	07	SB	CB08	LINE	20	SA	DC BUSS 1A
RED	12	CB09	LINE	07	SD	CB12	LINE	07	SD	DC BUSS 1C
RED	12	CB11	LINE	20	SE	CB10	LINE	20	SE	DC BUSS 1E
RED	12	CB12	LINE	07	SD	CB11	LINE	20	SE	DC BUSS 1D
BLK	10	CB14	LOAD1	20		CB01	LINE	20		AC FEED
BLK	16	DS01	2	47		CB14	LINE1	19		POWER OK INDICATOR
BLK	16	DS01	1	47		CB14	LINE2	19		POWER OK RET
BLK	16	DS02	1	47		G01	2	08		REV POL RET
BLK	16	DS02	2	47		CB14	LINE2	19		REV POLARITY IND
GRN	10	G01	1	12		TB01	1	20		PIN GND TO GND BUSS
RED	12	TB06	2	20		CB08	LINE	20	SA	DC INPUT



LOW VOLTAGE WIRING



HIGH VOLTAGE WIRING

